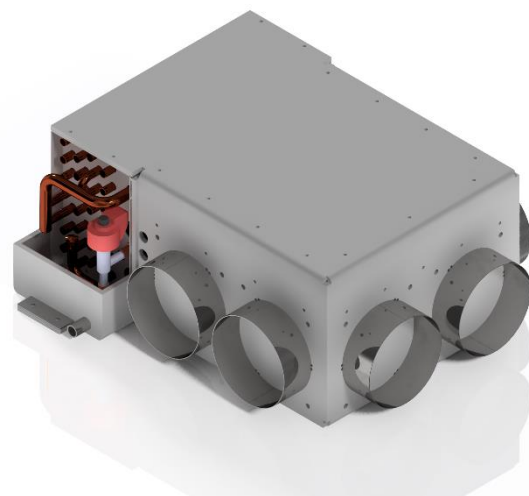


# LP24 AIR HANDLER

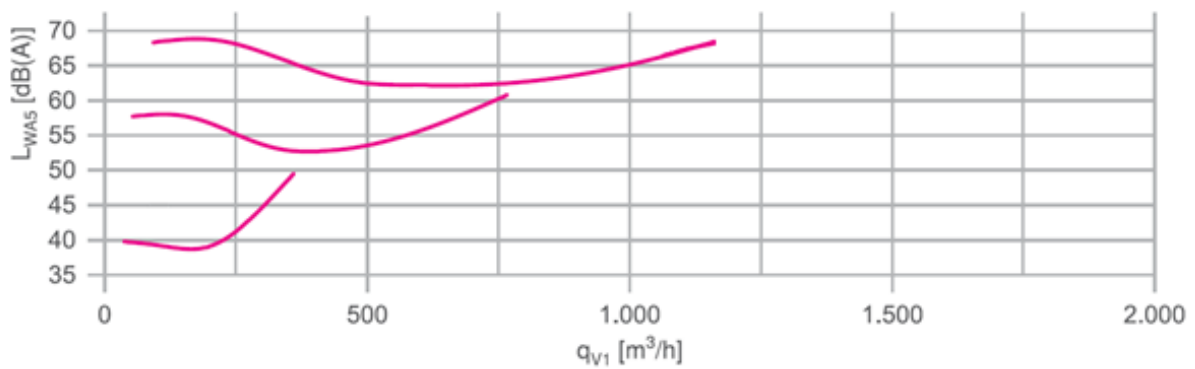
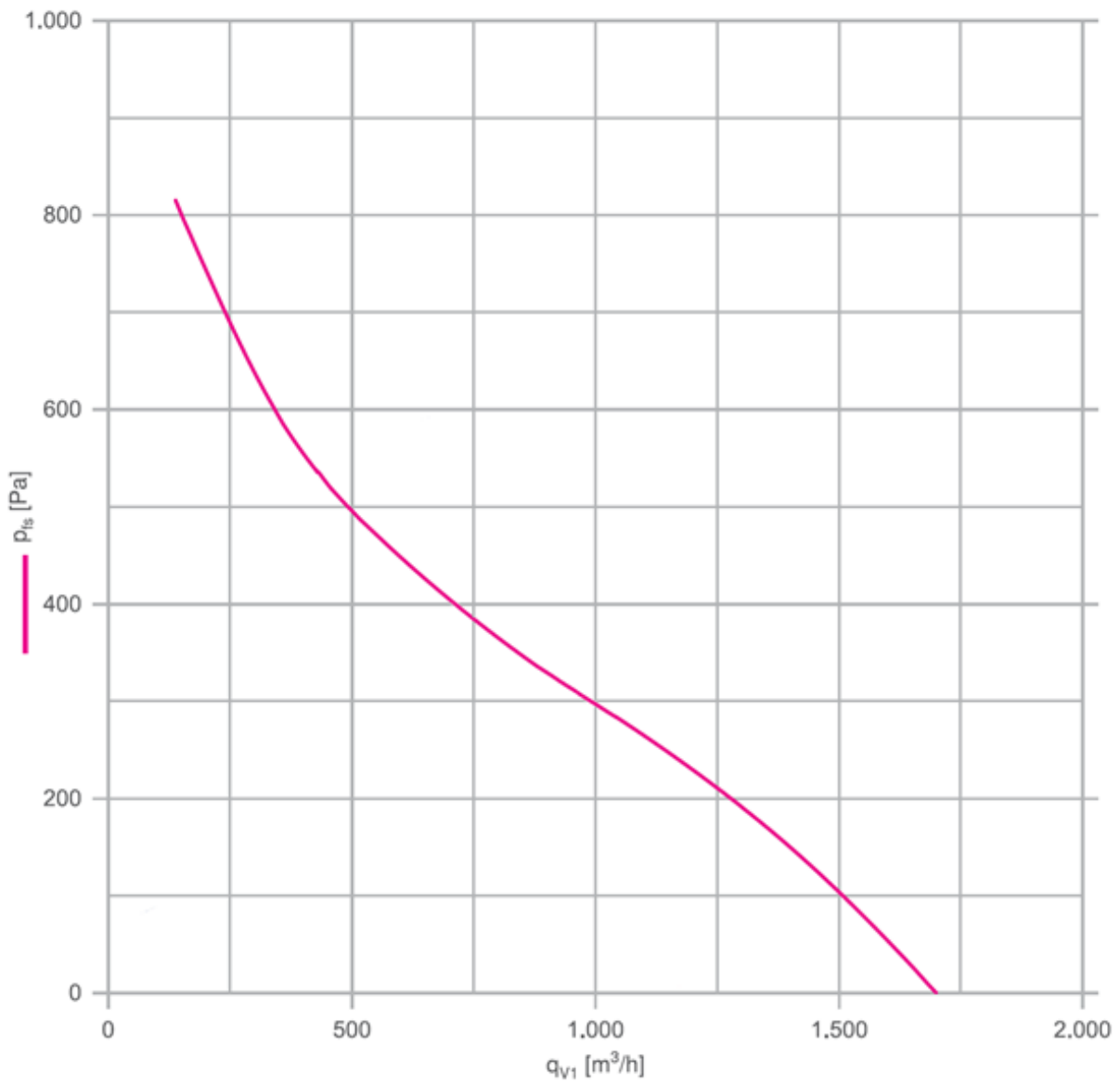
DATASHEET

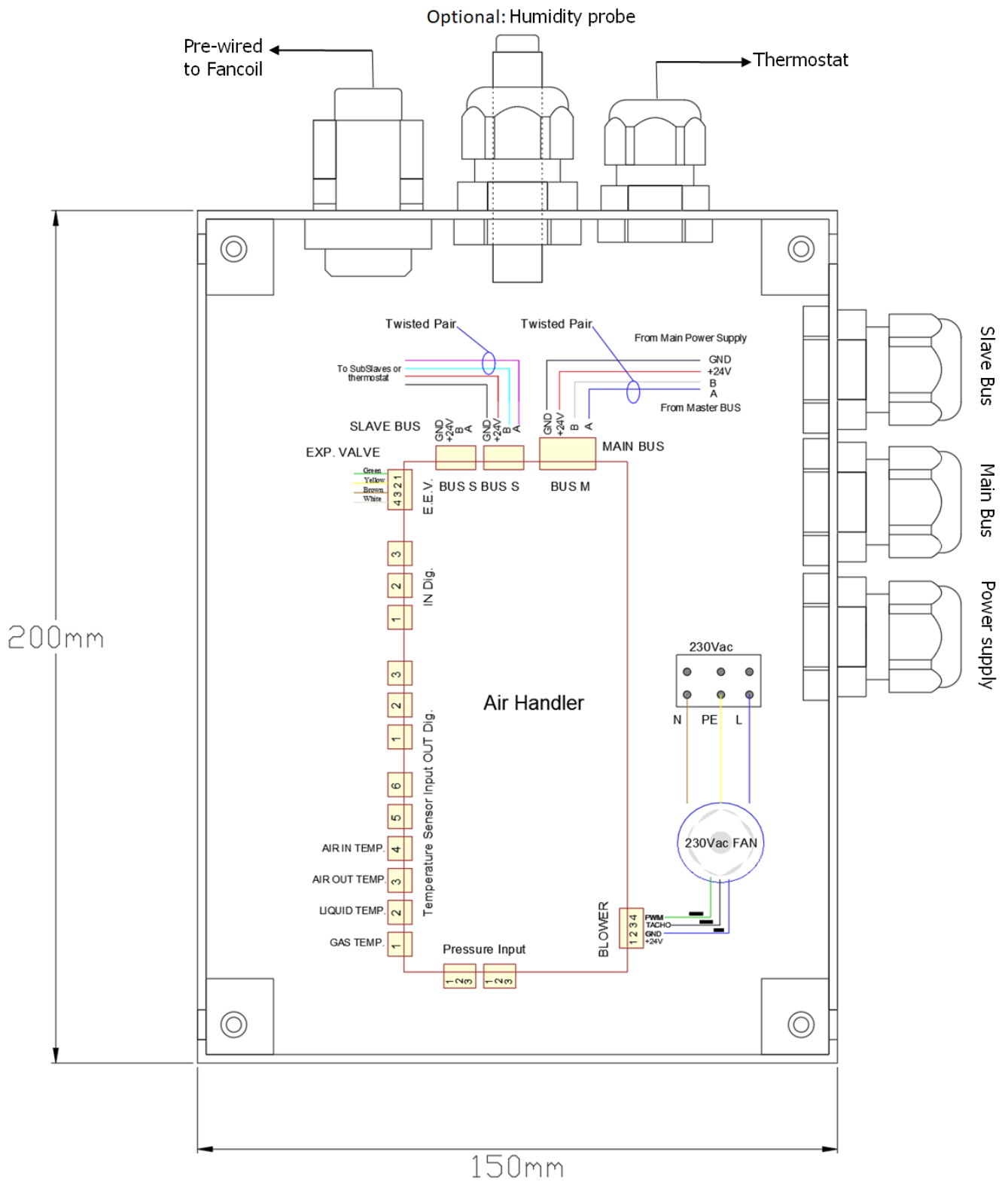


## CAPACITY

Air flow m <sup>3</sup> / h	100	500	900
Cooling Kw	1,0	4,0	7,0
Heating Kw	1,0	4,0	7,0

<b>Static pressure:</b>	800 Pa
<b>Power supply:</b>	230 Vac 50/60 Hz
<b>Power consumption:</b>	170 W (max)
<b>Control:</b>	Data bus rs485 Modbus RTU
<b>Size W x D x H:</b>	442 x 496 x 210 mm
<b>Weight:</b>	9 Kg
<b>Frame:</b>	Stainless steel 316
<b>Air working range:</b>	-20°C to +50°C
<b>Noise:</b>	10 dB min - 35 dB max
<b>Vibration:</b>	No significant vibration
<b>Air duct size mm:</b>	2 x 125 mm
<b>Refrigerant pipe:</b>	1/2" Gas      3/8" Liquid





# LP24

## OVERALL DIMENSIONS

