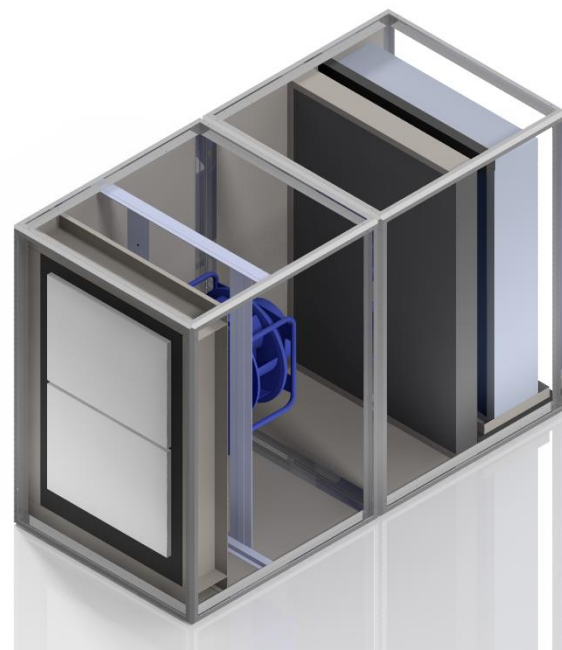


AHU5000T

DATASHEET



CAPACITY

Air flow m ³ / h	500	3500	5000
Cooling Kw	4,0	28,4	40,0
Heating Kw	4,0	28,4	40,0

Static pressure:

2000 Pa

Power supply:

400 Vac 50/60 Hz

Power consumption:

4 kW (max)

Control:

Data bus rs485 Modbus RTU

Size W x D x H:

829 x 865 x 1193 mm (module n°1)

829 x 865 x 1193 mm (module n°2)

Weight:

72kg (cooling coil unit) + 58Kg (fan unit)

Frame:

Aluminum silver anodized 30 µm + Stainless steel 316

Air working range:

-20°C to +50°C

Noise:

60 dB (typical) - 75 dB (max)

Vibration:

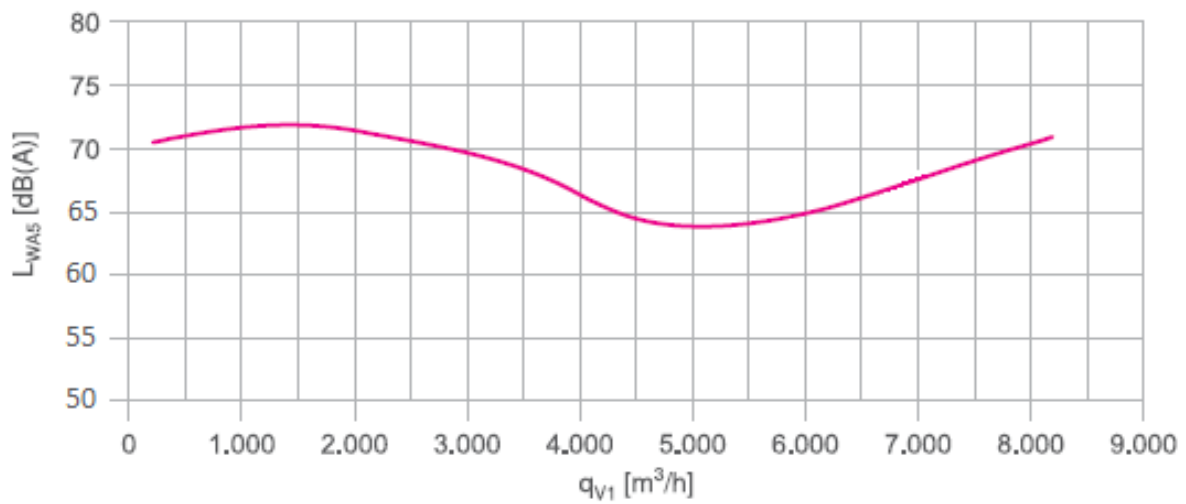
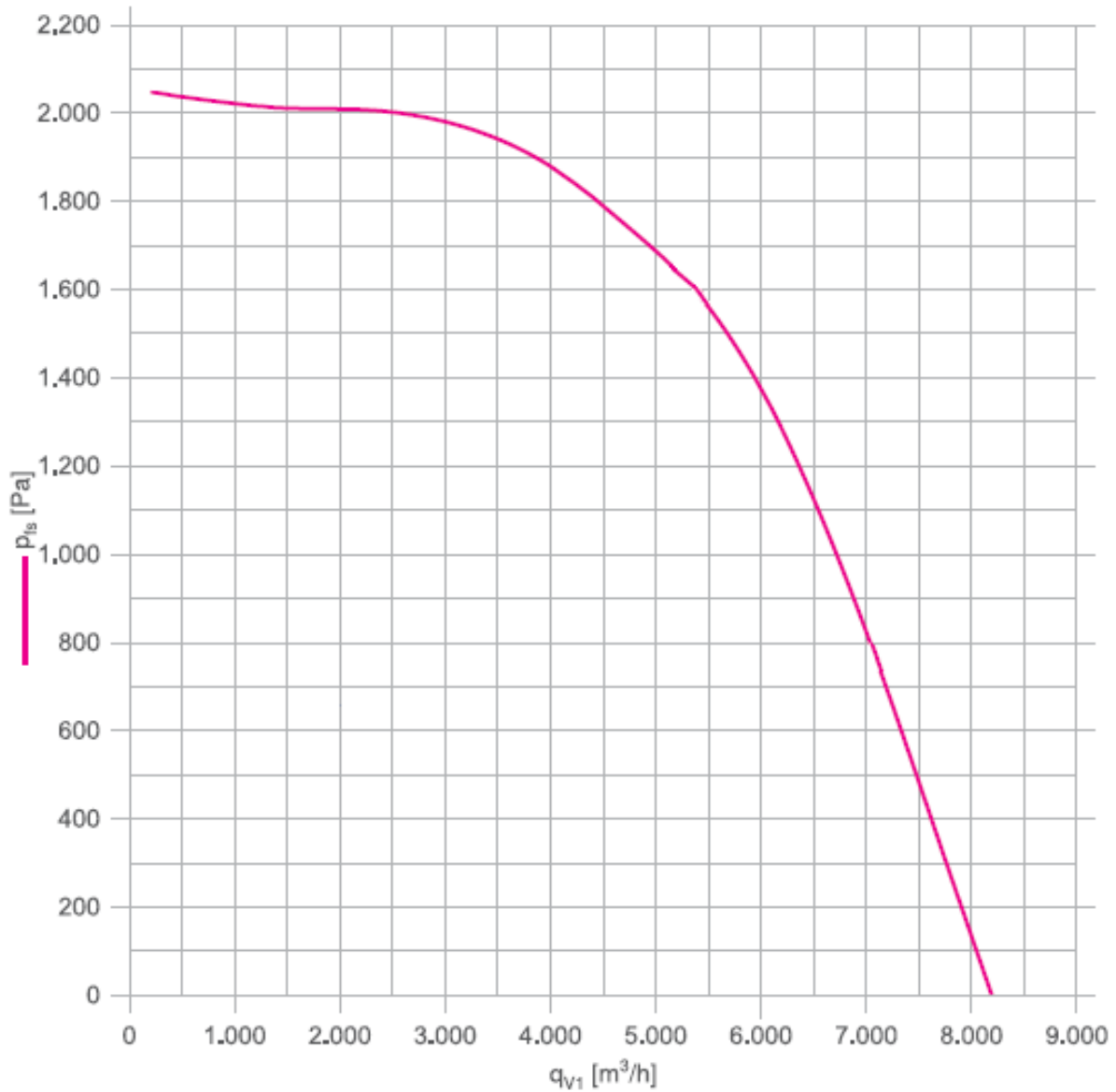
No significant vibration

Air duct size mm:

Custom made

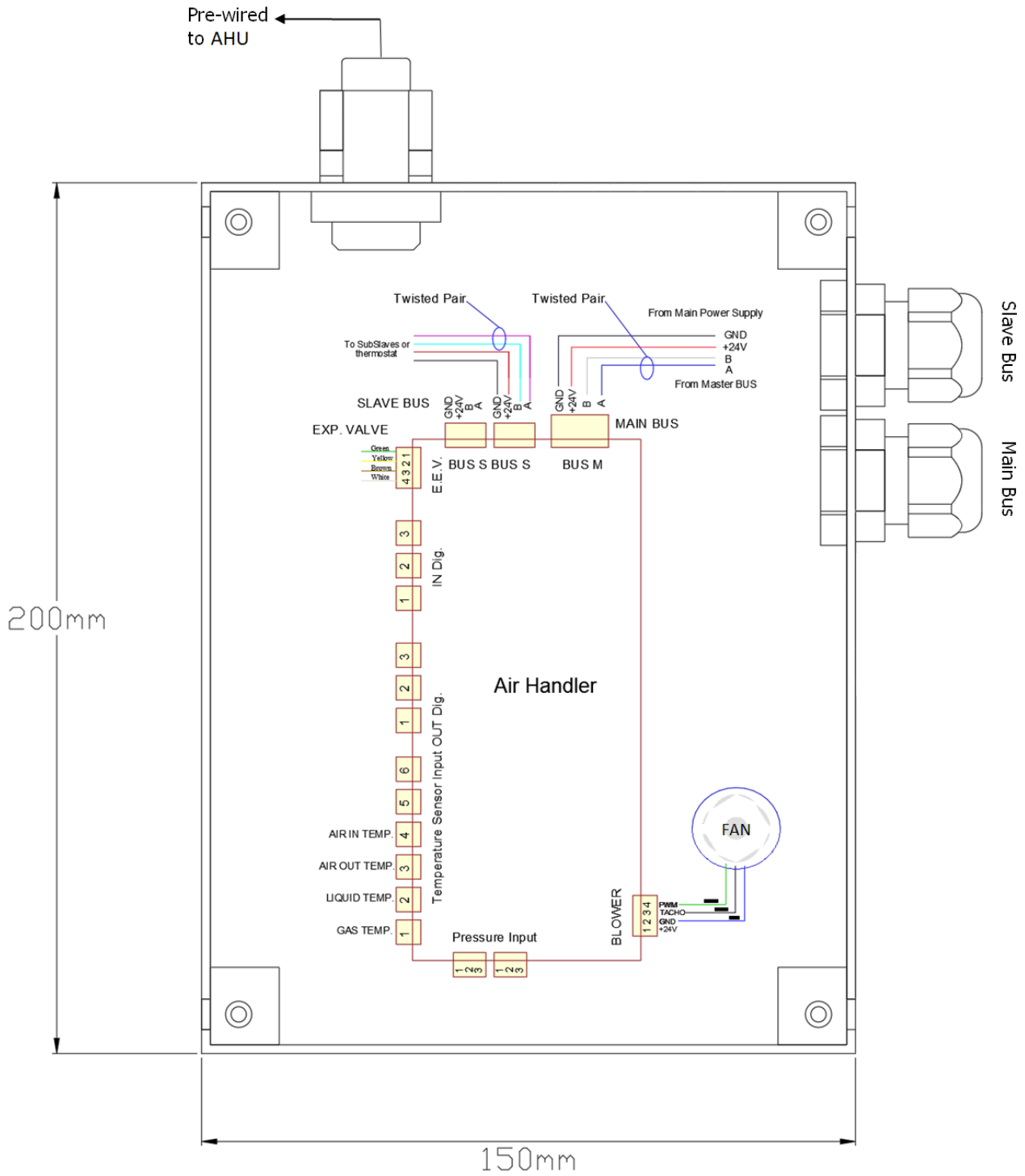
AHU5000T

FAN PERFORMANCE



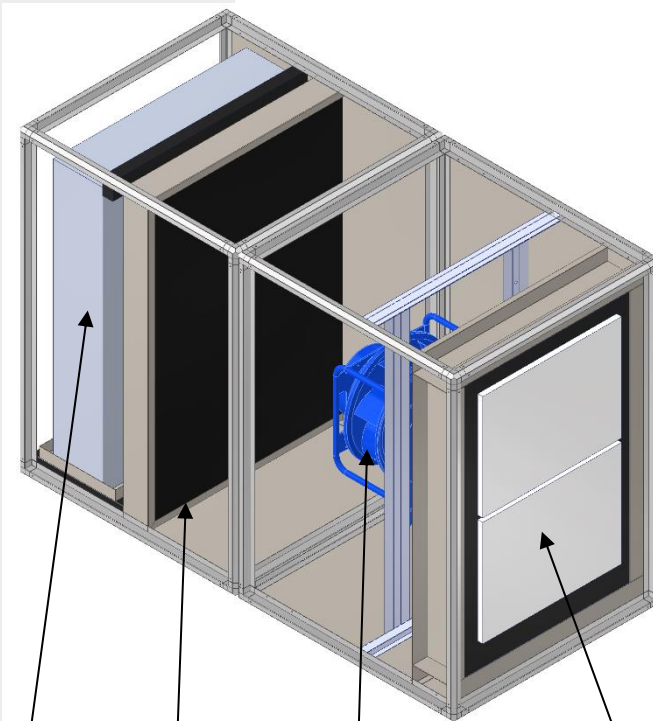
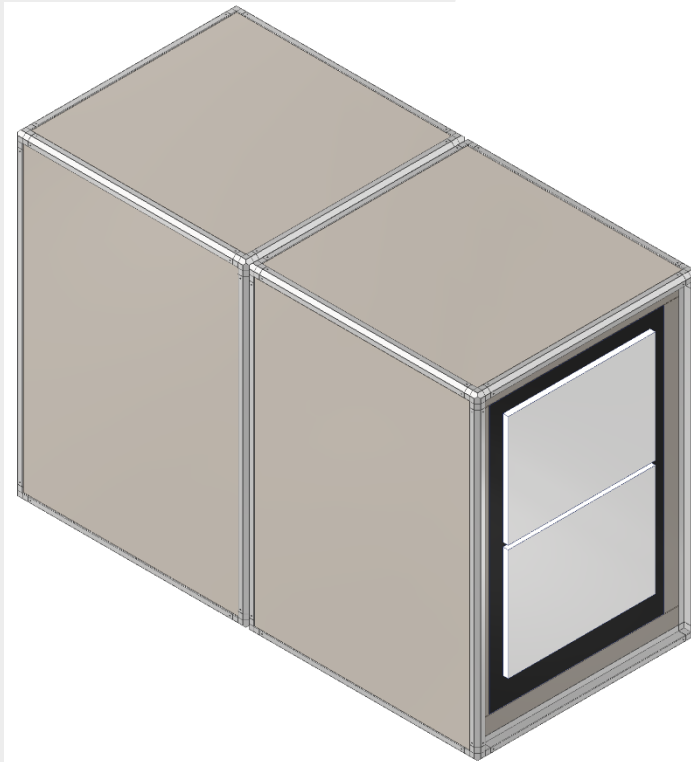
AHU5000T

ELECTRICAL CONNECTIONS



AHU5000T

OVERALL DIMENSIONS



COOLING
COIL

AIR
FILTER

FAN

MIST
ELIMINATOR

AHU5000T

OVERALL DIMENSIONS

