

# VRT22E1

## DATASHEET



Cooling capacity KW	min 5	std 20	max 30
Cooling power source KW	min 1	std 4	max 5.8
Heating capacity KW	min 5	std 20	max 30
Heating power source KW	min 1	std 4	max 5.8

<b>Total BTU Capacity:</b>	Comparable to 115.000 BTU/h of the competitors.		
<b>Power supply:</b>	180 - 250 Vac / 50-60Hz – 1ph		
<b>Sea water pump:</b>	Magnetic type 300 watt included in unit power consumption. 150 lt/min		
<b>Size W x D x H:</b>	674 x 571 x 477 mm		
<b>Weight:</b>	77 Kg		
<b>Sea water working range:</b>	+3°C to +40°C	Option polar water: -5°C	
<b>Air working range:</b>	-20°C to +50°C		
<b>Noise:</b>	Compressor @ 140 hz – 73db @ 1 meter from box		
<b>Vibration:</b>	No significant vibration transmitted to the feet		
<b>Sea water pipes connection:</b>	1" 1/2		
<b>Refrigerant pipe:</b>	3 x 5/8" Gas	3 x 1/2" Liquid	

Compressor box use VRV inverter architecture with refrigerant circulation inside air handler  
Databus rs485 modbus on board

System based on Toshiba VFD and twin rotary compressor



### CONDENSER:

Titanium Grade 2. No fouling, no corrosion. 3 times lighter than copper nickel



### COMPRESSOR:

Toshiba inverter twin rotary. COP > 4

Rotation speed: 600 to 6000 rpm



### FRAME:

Stainless Steel 316



### SOFTWARE MANAGEMENT:

Compressor high temperature, low temperature, high pressure condenser, low pressure compressor, electronic pressure gas, electronic pressure liquid, Condensation control, Evaporation control



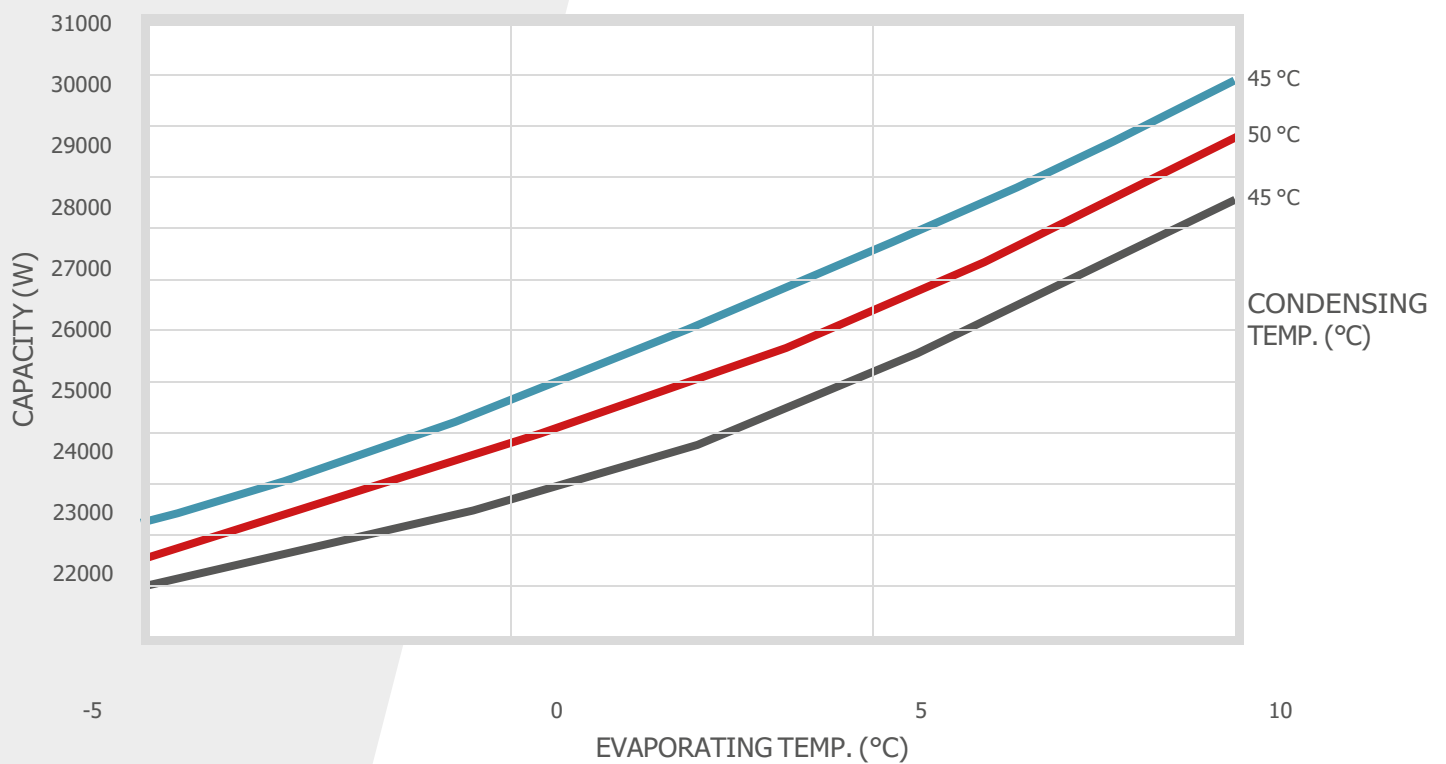
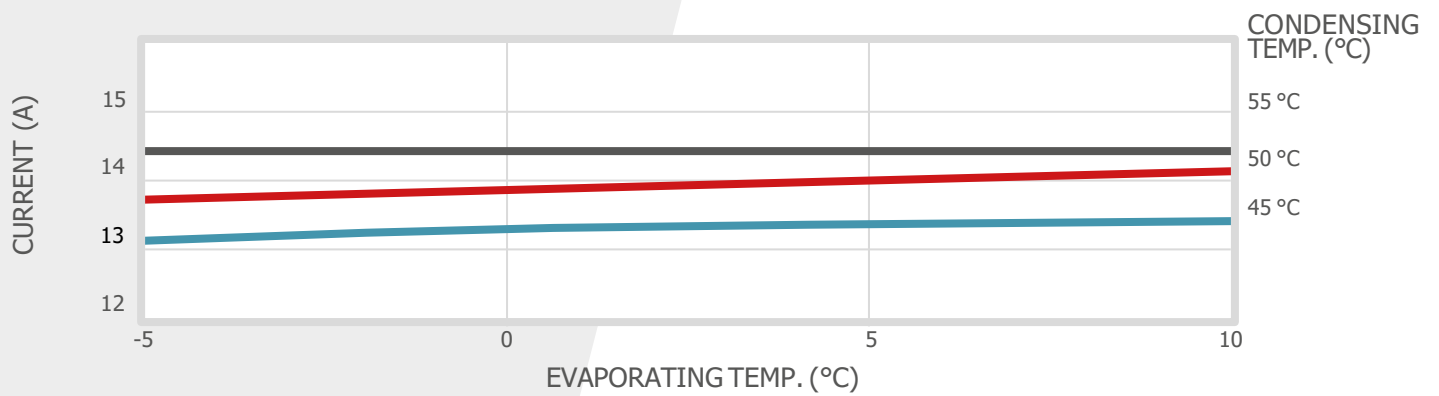
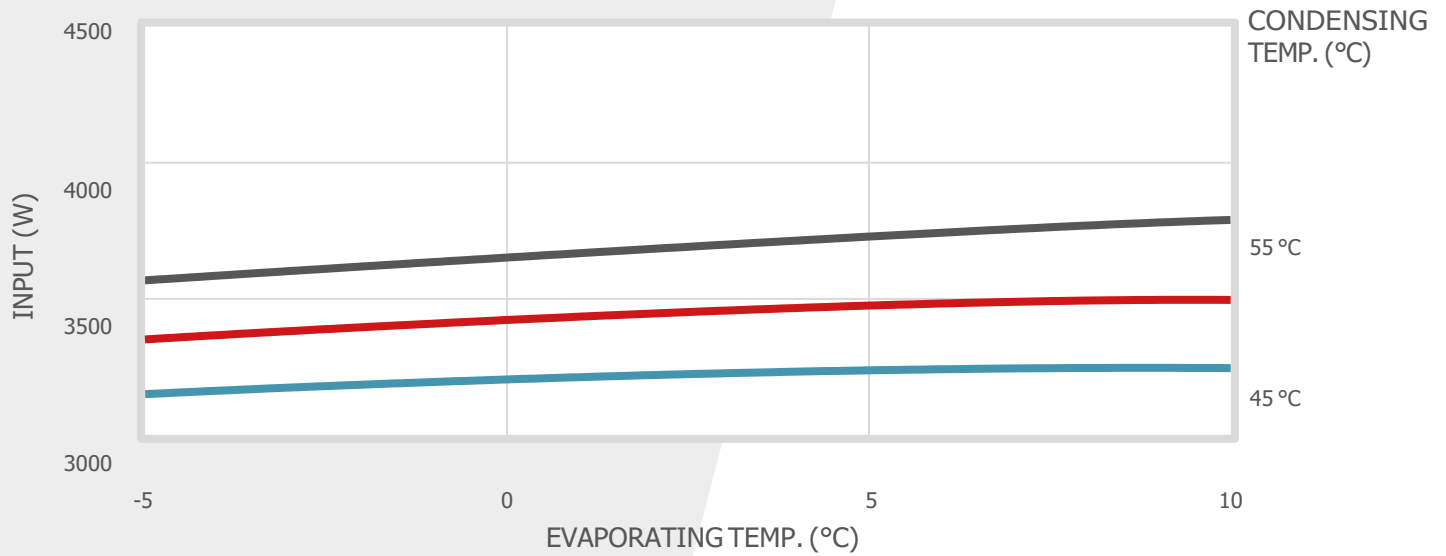
### COMPRESSOR PROTECTION:

Over/undervoltage, overcurrent, torque, winding temperature, stepout (bad lubrication), power input, power output, efficiency, overload, oil level (with EEV)



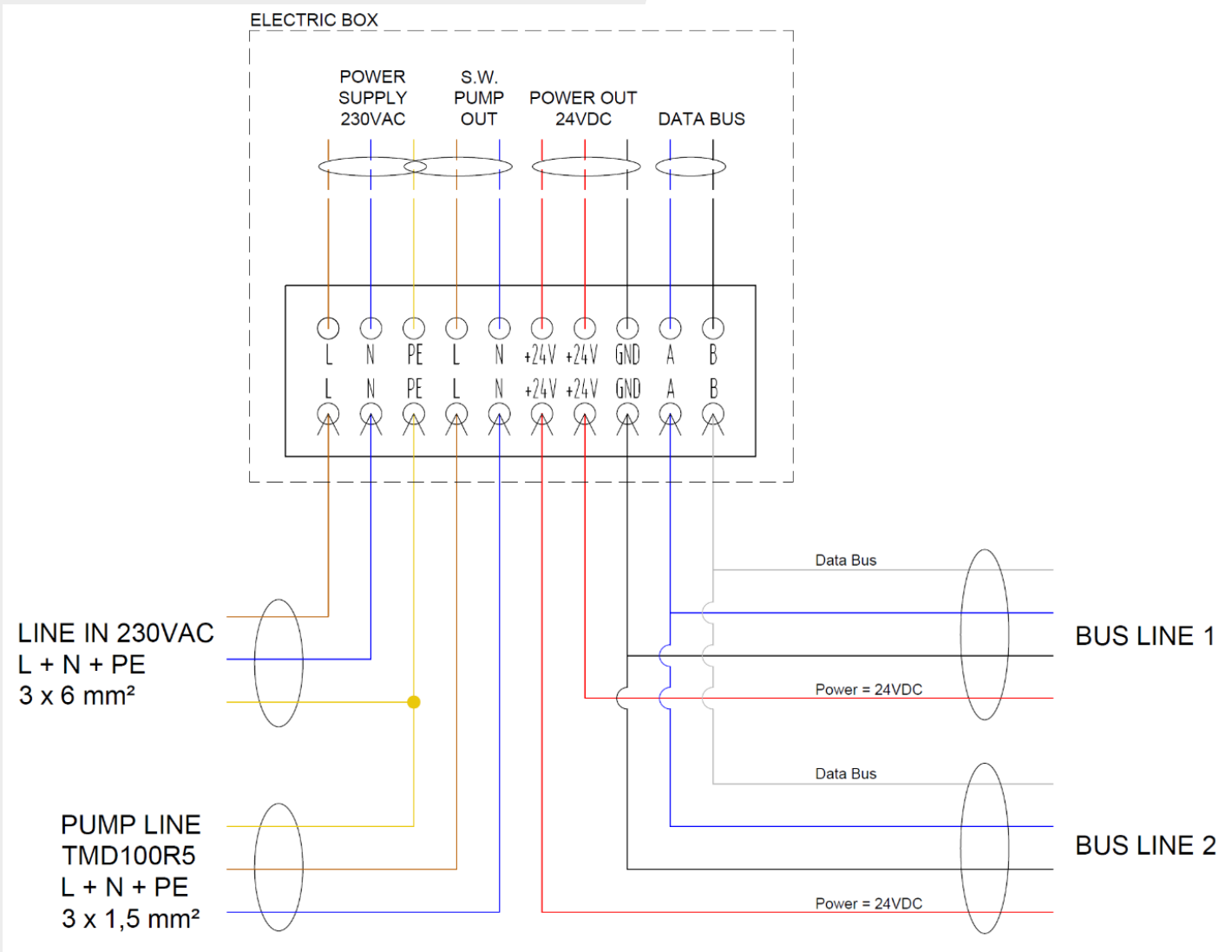
# VRT22E1

## PERFORMANCE CURVE DC INVERTER 70 rps/ 100





### VRT22E1 ELECTRICAL CONNECTION



# VRT22E1

## OVERALL DIMENSIONS

