

# VRT30E1

## DATASHEET



Cooling capacity KW	min 5	std 20	max 30
Cooling power source KW	min 1	std 4	max 5.8
Heating capacity KW	min 5	std 20	max 30
Heating power source KW	min 1	std 4	max 5.8

**Total BTU Capacity:**  
**Power supply:**

Comparable to 135.000 BTU/h of the competitors.  
180 - 250 Vac / 50-60Hz – 1ph  
380 - 440Vac / 50-60Hz – 3ph (VRT30E1-4V)  
700Vdc (VRT30E1-7V) on request.

**Sea water pump:**

Magnetic type 300 watt included in unit power consumption.

**Size W x D x H:**

150 lt/min  
674 x 571 x 477 mm

**Weight:**

80 Kg

**Sea water working range:**

+3°C to +40°C

Option polar water: -5°C

**Air working range:**

-20°C to +50°C

**Noise:**

Compressor @ 140 hz – 73db @ 1 meter from box

**Vibration:**

No significant vibration transmitted to the feet

**Sea water pipes connection:**

1" 1/2

**Refrigerant pipe:**

3 x 5/8" Gas

3 x 1/2" Liquid

Compressor box use VRV inverter architecture with refrigerant circulation inside air handler  
Databus rs485 modbus on board



### CONDENSER:

Titanium Grade 2. No fouling, no corrosion. 3 times lighter than copper nickel



### COMPRESSOR:

Toshiba inverter twin rotary. COP > 4

Rotation speed: 600 to 6000 rpm



### FRAME:

Stainless Steel 316



### SOFTWARE MANAGEMENT:

Compressor high temperature, low temperature, high pressure condenser, low pressure compressor, electronic pressure gas, electronic pressure liquid, Condensation control, Evaporation control



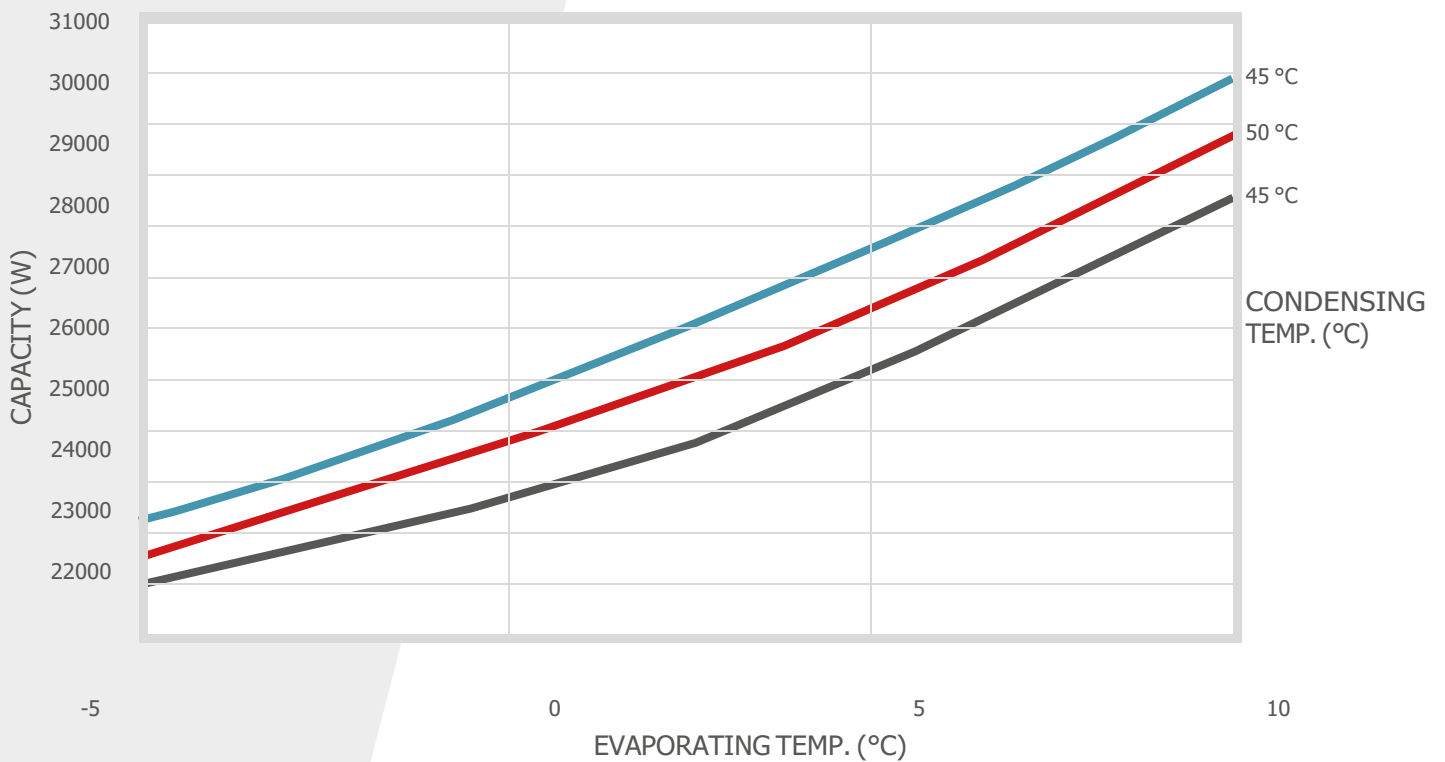
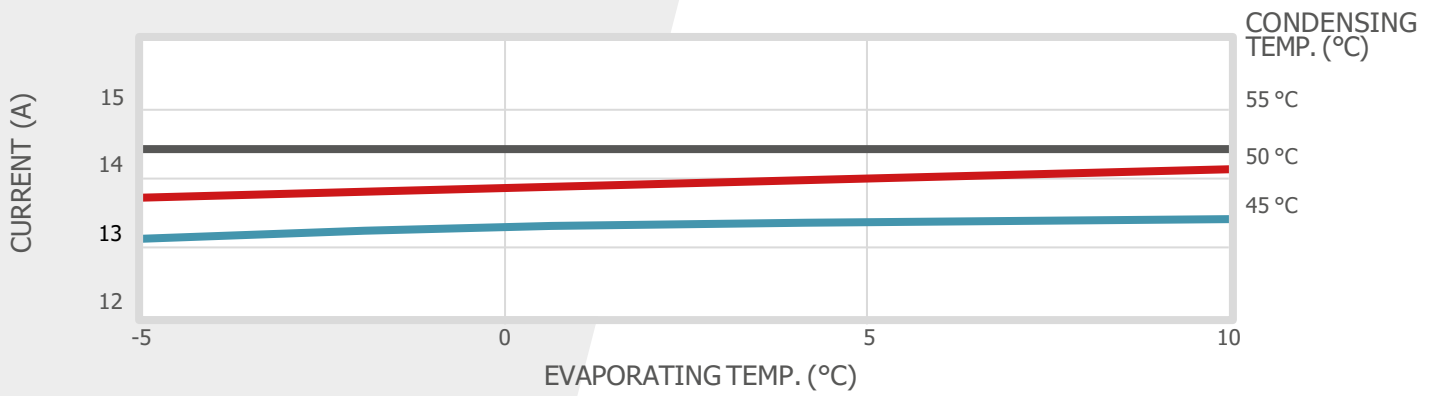
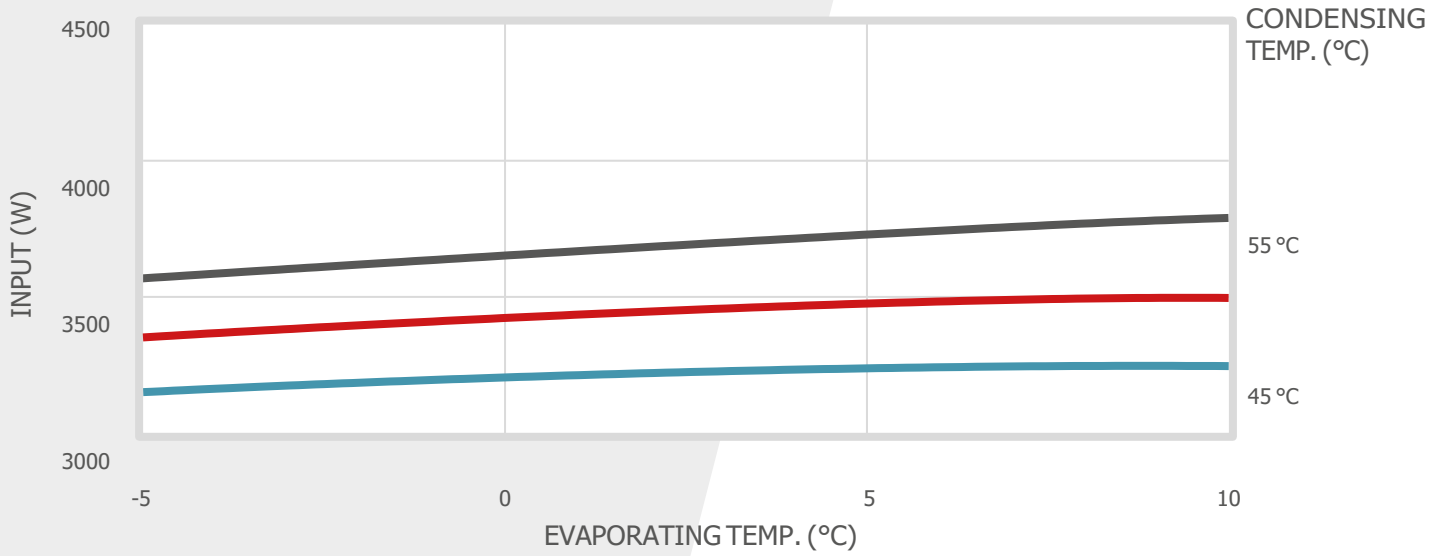
### COMPRESSOR PROTECTION:

Over/undervoltage, overcurrent, torque, winding temperature, stepout (bad lubrication), power input, power output, efficiency, overload, oil level (with EEV)



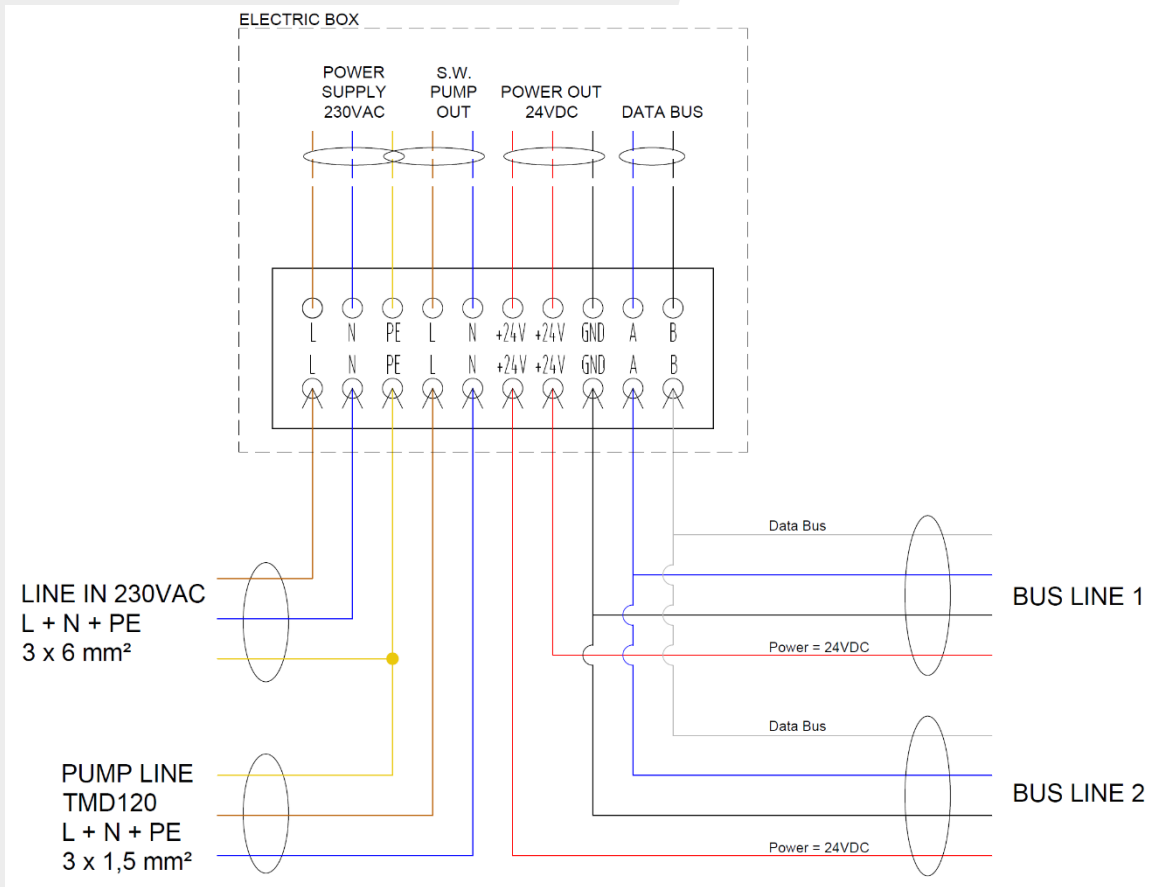
# VRT30E1

## PERFORMANCE CURVE DC INVERTER 70 rps/ 100

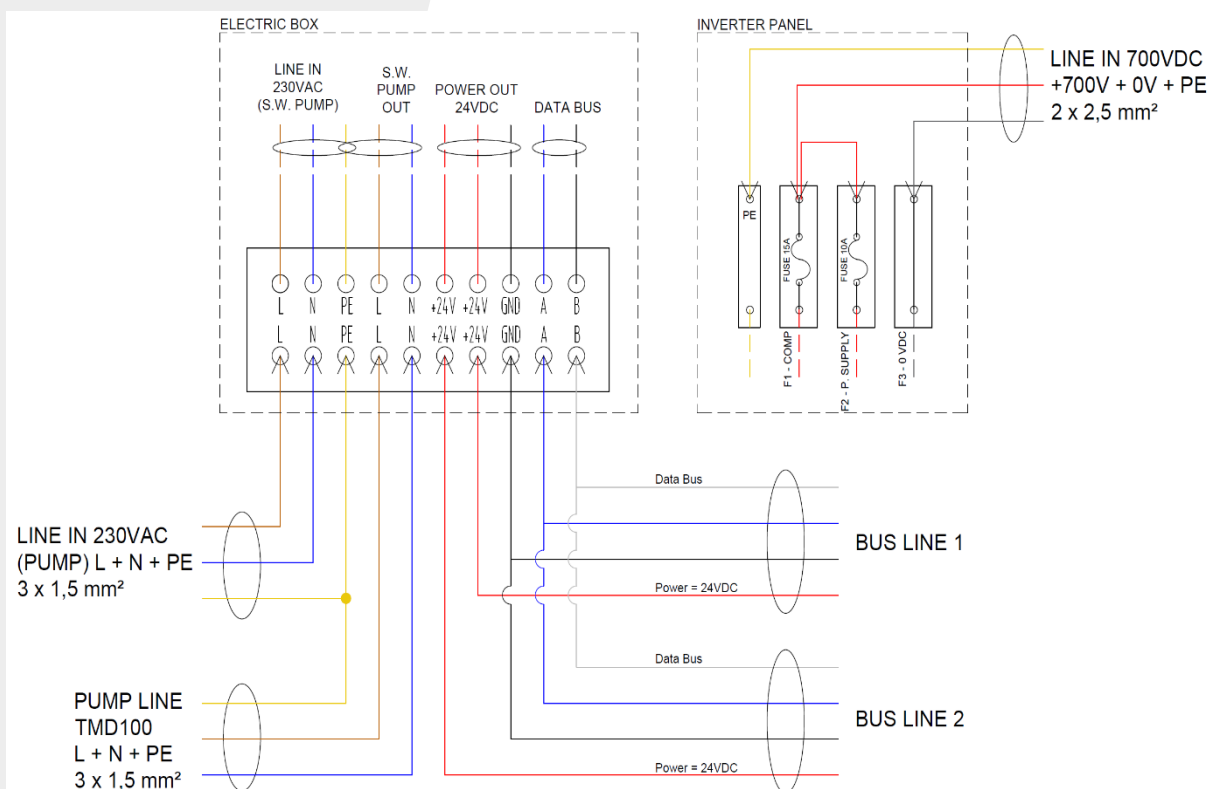




### VRT30E1 ELECTRICAL CONNECTION



### VRT30E1-4V - VRT30E1-7V ELECTRICAL CONNECTION



# VRT30E1

## OVERALL DIMENSIONS

