



VRT12X1

DATASHEET



Cooling & heating - capacity

Cooling capacity KW	min 3,6	std 9,6	max 12
Cooling power source KW	min 0,7	std 2	max 3,0
Heating capacity KW	min 3,6	std 9,6	max 12
Heating power source KW	min 0,7	std 2	max 3,0

Total BTU Capacity:	Comparable to 55.000 BTU/h of the competitors.		
Power supply:	180 – 250 VAC 1Phase 50/60Hz → <i>mod. VRT12X1-2V</i>		
Sea water pump:	Magnetic type 100W included in unit power consumption. 100 lt/min		
Size W x D x H:	555 x 474 x 446 mm		
Weight:	48 Kg		
Sea water working range:	+3°C to +40°C	Option polar water: -5°C	
Air working range:	-20°C to +50°C		
Noise:	Compressor @ 140 hz – 40 db @ 1 meter from box		
Vibration:	No significant vibration transmitted to the feet		
Sea water pipe connection:	1"		
Refrigerant pipe:	5/8" Gas	1/2" Liquid	

Compressor box use VRT inverter architecture with refrigerant circulation inside air handler
Databus rs485 modbus on board.

System based on Toshiba VFD and twin rotary compressor.

VRT12X1

MAIN FEATURES



CONDENSER:

Titanium Grade 2. No fouling, no corrosion. 3 times lighter than copper nickel
Titanium is an everlasting material that assure to your system long reliability



COMPRESSOR:

Toshiba inverter twin rotary. COP > 4



FRAME:

Stainless Steel 316



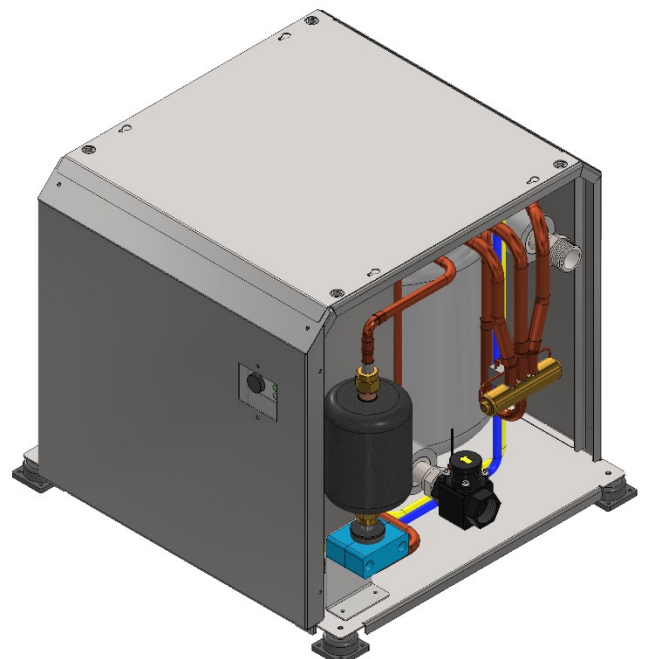
SOFTWARE MANAGEMENT:

Compressor high temperature, low temperature, high pressure condenser, low pressure compressor, electronic pressure gas, electronic pressure liquid, Condensation control, Evaporation control



COMPRESSOR PROTECTION:

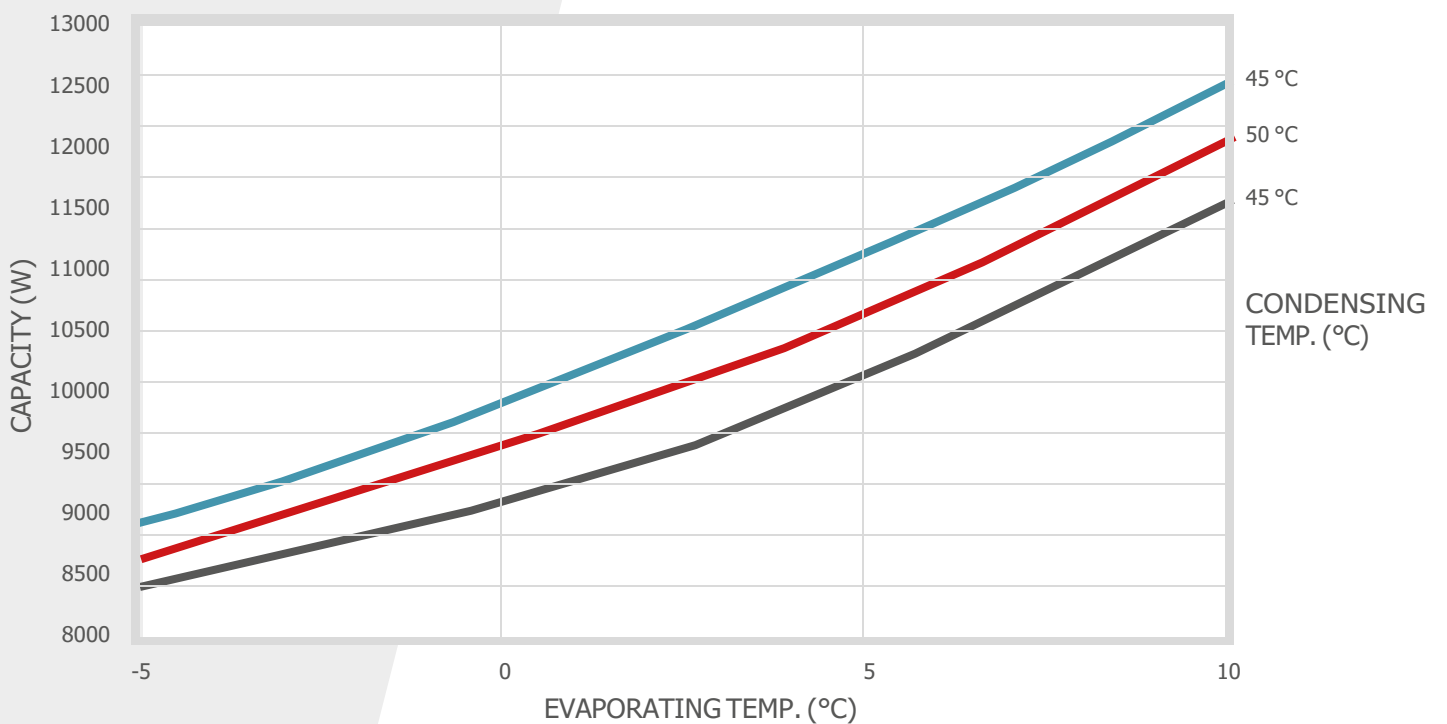
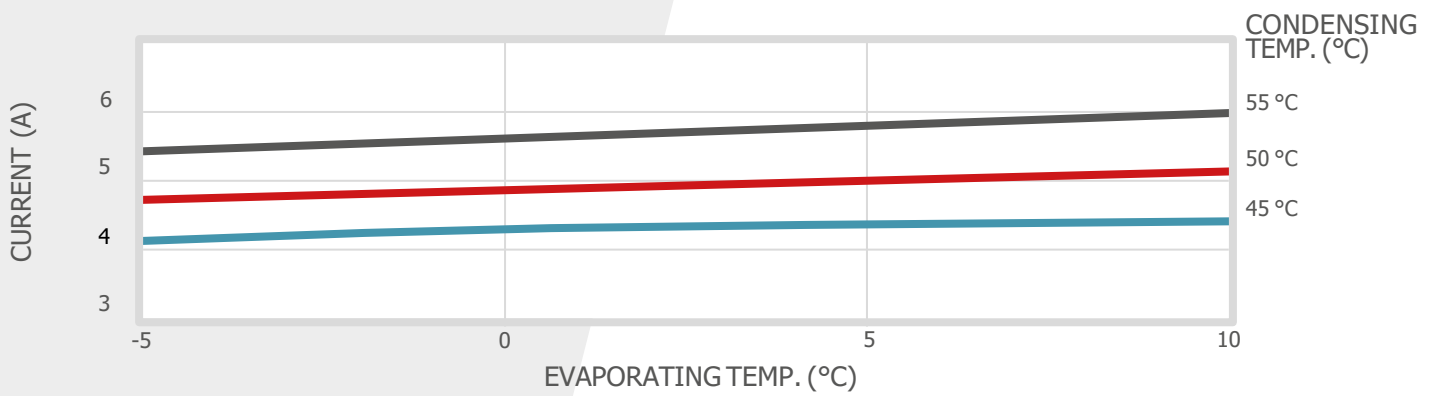
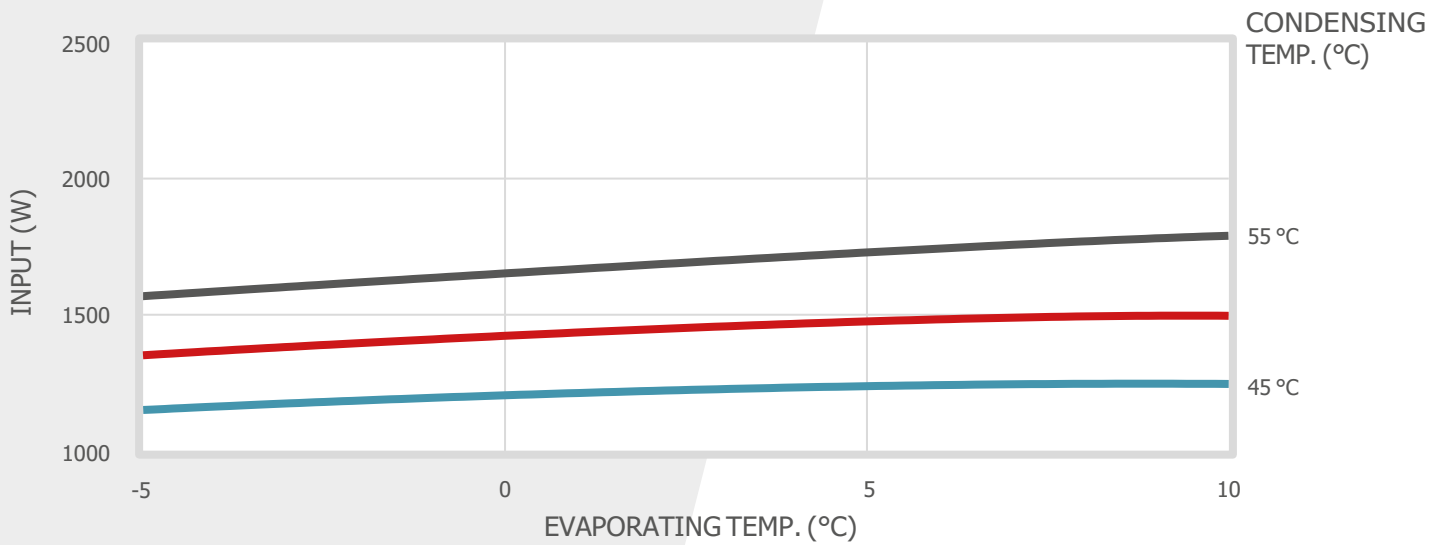
Over/undervoltage, overcurrent, torque, winding temperature, stepout (bad lubrication), power input, power output, efficiency, overload, oil level (with EEV)





VRT12X1

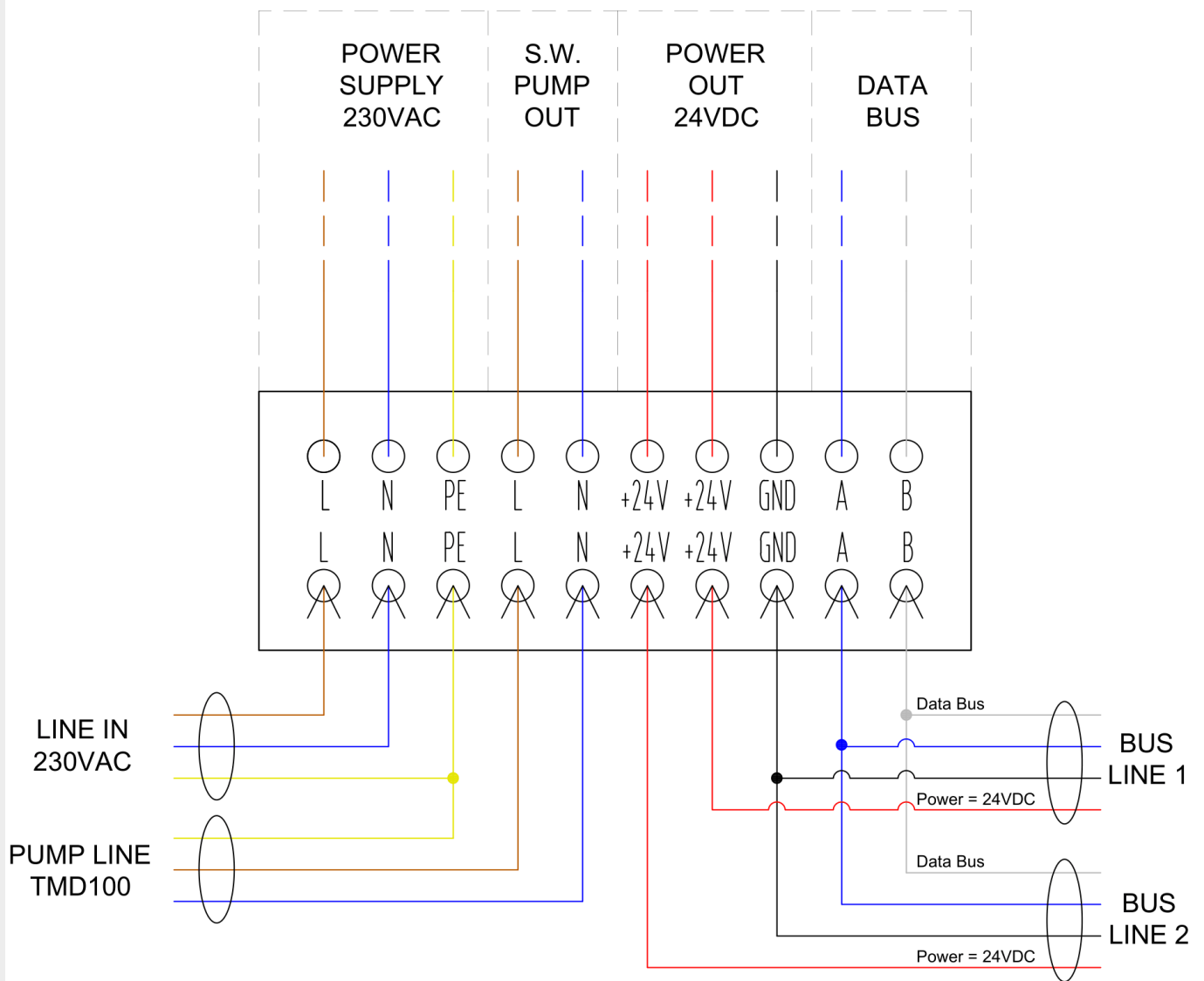
PERFORMANCE CURVE
DC INVERTER 70 rps / 100





VRT12X1

ELECTRICAL CONNECTIONS





VRT12X1

OVERALL DIMENSIONS

