

VRT12E1

DATASHEET



Cooling & heating - capacity

Cooling capacity KW	min 3,6	std 9,6	max 12
Cooling power source KW	min 0,7	std 2	max 2,6
Heating capacity KW	min 3,6	std 9,6	max 12
Heating power source KW	min 0,7	std 2	max 2,6

Total BTU Capacity:

Comparable to 55.000 BTU/h of the competitors.

Power supply:

180 – 250 V 1Phase 50/60Hz

Sea water pump:

Magnetic type 180 watt included in unit power consumption.
100 lt/min

Size W x D x H:

538 x 467 x 443 mm

Weight:

48 Kg

Sea water working range:

+3°C to +40°C Option polar water: -5°C

Air working range:

-20°C to +50°C

Noise:

Compressor @ 140 hz – 40 db @ 1 meter from box

Vibration:

No significant vibration transmitted to the feet

Sea water pipe connection:

1"

Refrigerant pipe:

5/8" Gas 1/2" Liquid

Compressor box use VRV inverter architecture with refrigerant circulation inside air handler
Databus rs485 modbus on board

System based on Toshiba VFD and twin rotary compressor



CONDENSER:

Titanium Grade 2. No fouling, no corrosion. 3 times lighter than copper nickel
Titanium is an everlasting material that assure to your system long reliability



COMPRESSOR:

Toshiba inverter twin rotary. COP > 4



FRAME:

Stainless Steel 316



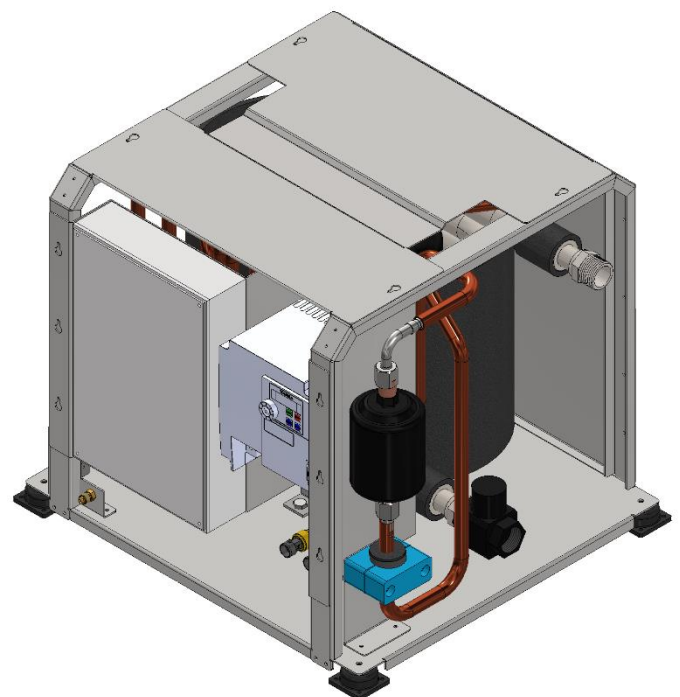
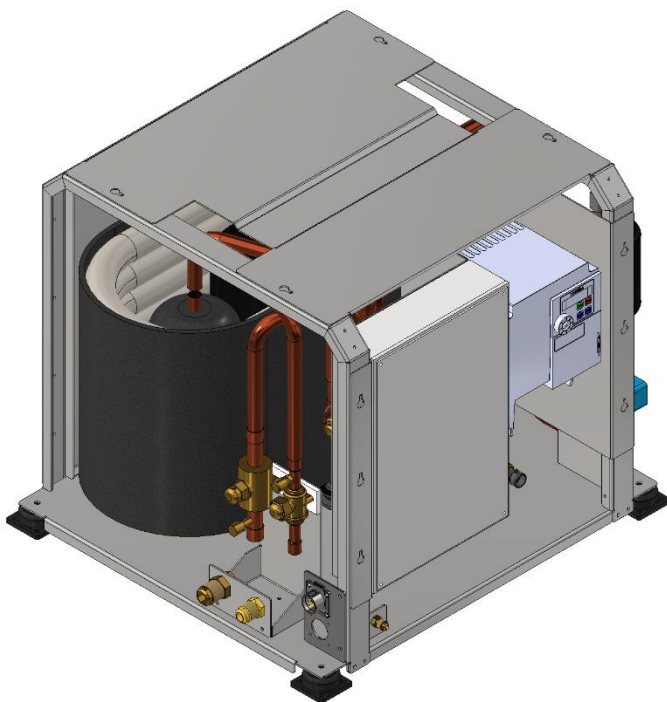
SOFTWARE MANAGEMENT:

Compressor high temperature, low temperature, high pressure condenser, low pressure compressor, electronic pressure gas, electronic pressure liquid, Condensation control, Evaporation control



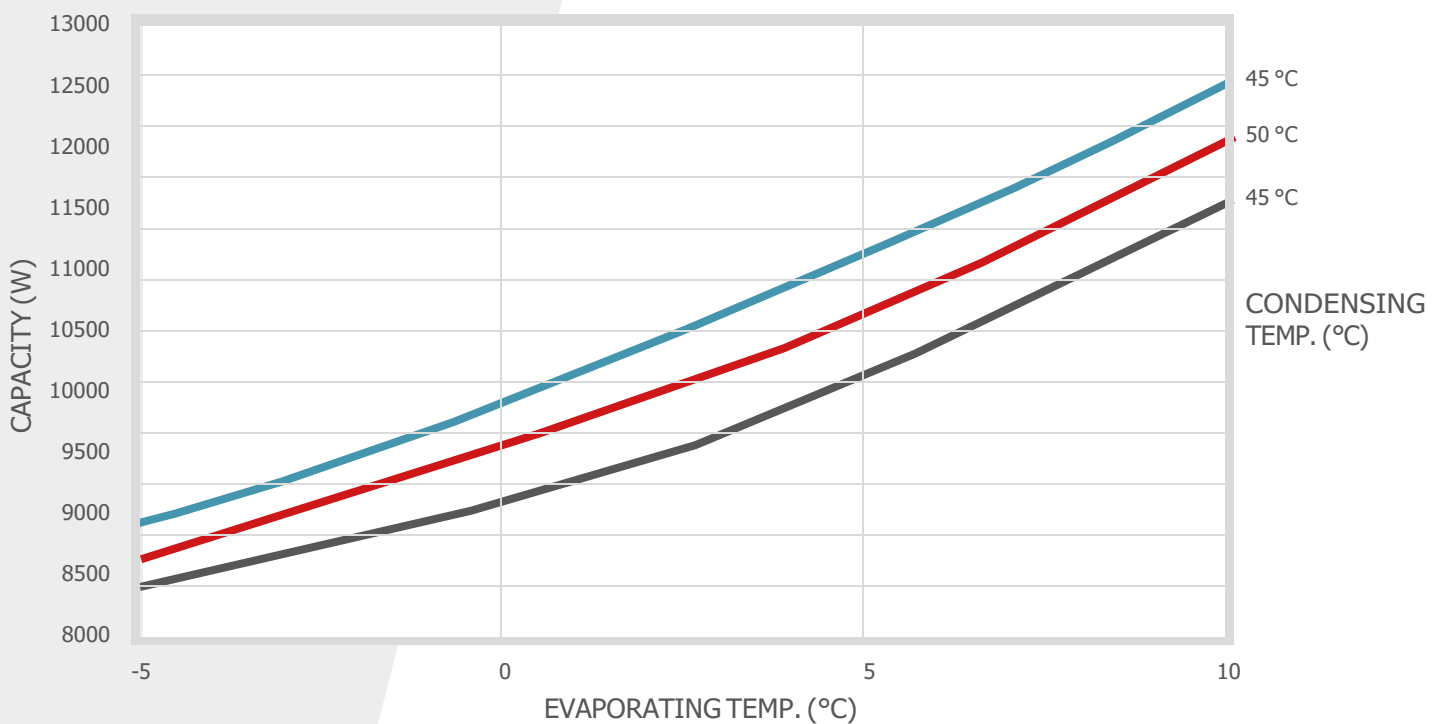
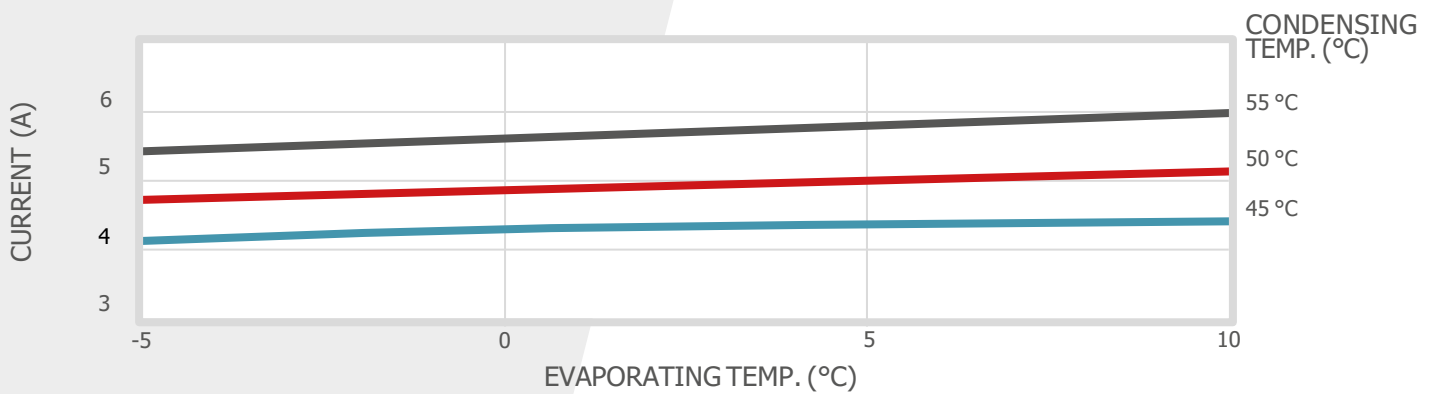
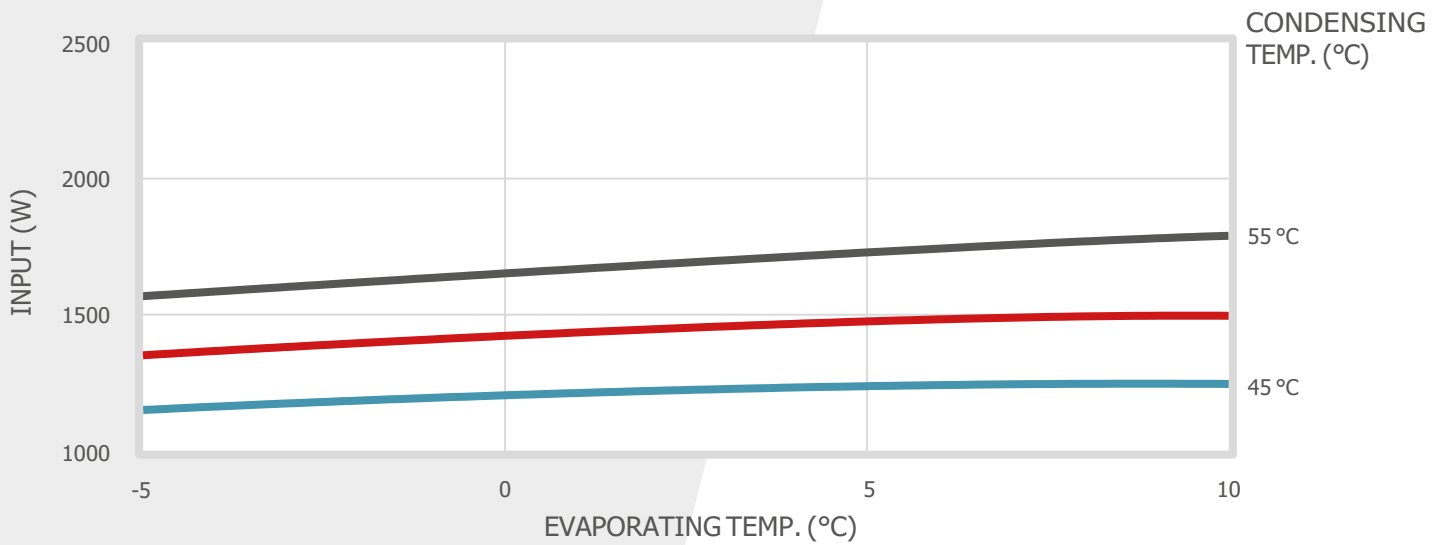
COMPRESSOR PROTECTION:

Over/undervoltage, overcurrent, torque, winding temperature, stepout (bad lubrication), power input, power output, efficiency, overload, oil level (with EEV)



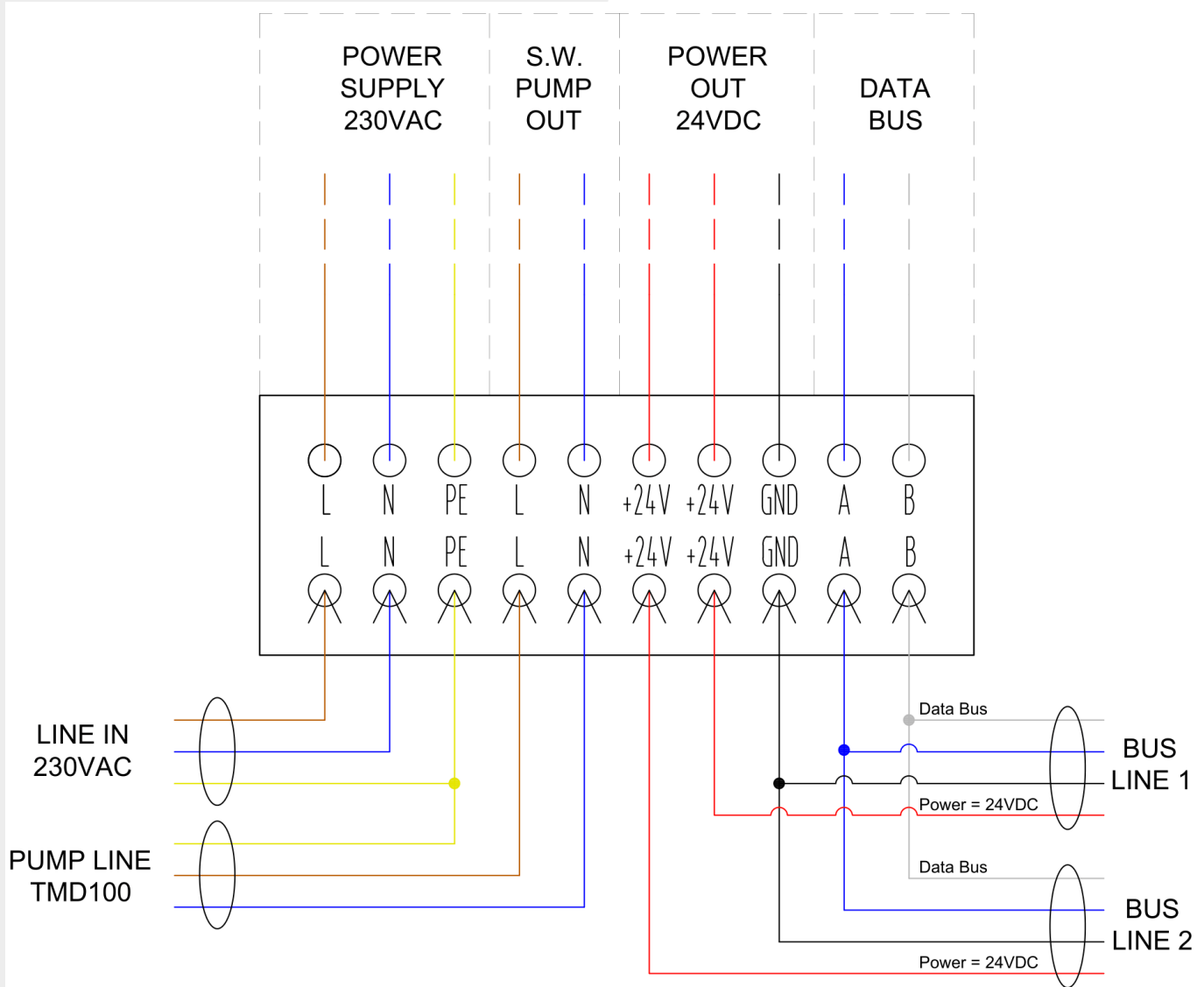
VRT12E1

PERFORMANCE CURVE
DC INVERTER 70 rps / 100



VRT12E1

ELECTRICAL CONNECTIONS



VRT12E1

OVERALL DIMENSIONS

