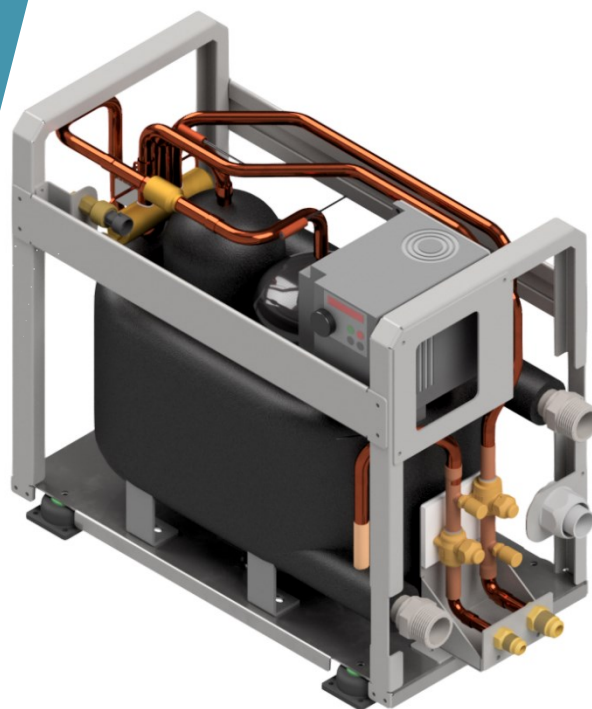




# VRT08X1

## DATASHEET



Cooling capacity KW	min 1,4	std 5	max 8
Cooling power source KW	min 0,4	std 0,8	max 1,5
Heating capacity KW	min 1,4	std 5	max 8
Heating power source KW	min 0,4	std 0,8	max 1,5

**Cooling / Heating capacity:**

**Power supply:**

**Sea water pump:**

**Size W x D x H:**

**Weight:**

**Sea water working range:**

**Air working range:**

**Noise:**

**Vibration:**

**Sea water pipes connection:**

**Refrigerant pipe:**

Comparable to 35.000 BTU/h of the competitors.  
 180 - 250 VAC 1Phase / 50-60Hz → *mod. VRT08X1-2V*  
 Magnetic type 100W included in unit power consumption.  
 100 lt/min  
 500 x 247 x 385 mm  
 31 Kg  
 +3°C to +40°C                      Option polar water: -5°C  
 -20°C to +50°C  
 Compressor @ 140 hz – 65db @ 1 meter from box  
 No significant vibration transmitted to the feet  
 1" BSP  
 1/2" Gas                                  3/8" Liquid

Compressor box use VRT inverter architecture with refrigerant circulation inside air handler  
 Databus rs485 modbus on board.

24Volt @ 60watt power supply integrated in compressor unit for 4 air handlers management  
 System based on Toshiba VFD and twin rotary compressor.



# VRT08X1

## MAIN FEATURES



### CONDENSER:

Titanium Grade 2. No fouling, no corrosion. 3 times lighter than copper nickel  
Titanium is an everlasting material that assure to your system long reliability



### COMPRESSOR:

Toshiba inverter twin rotary. COP > 4



### FRAME:

Stainless Steel 316



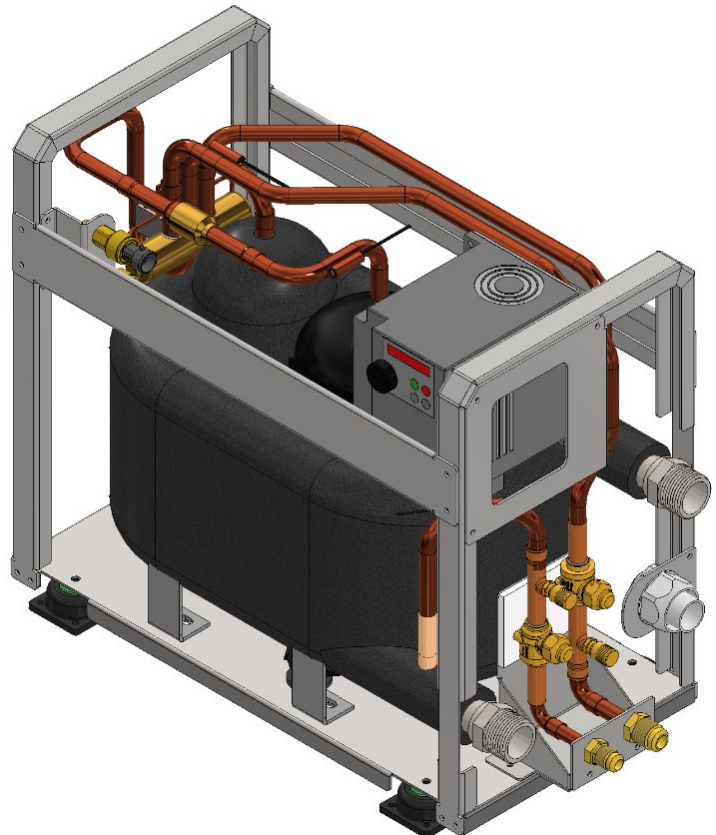
### SOFTWARE MANAGEMENT:

Compressor high temperature, low temperature, high pressure  
condenser, low pressure compressor, electronic pressure gas, electronic  
pressure liquid, Condensation control, Evaporation control



### COMPRESSOR PROTECTION:

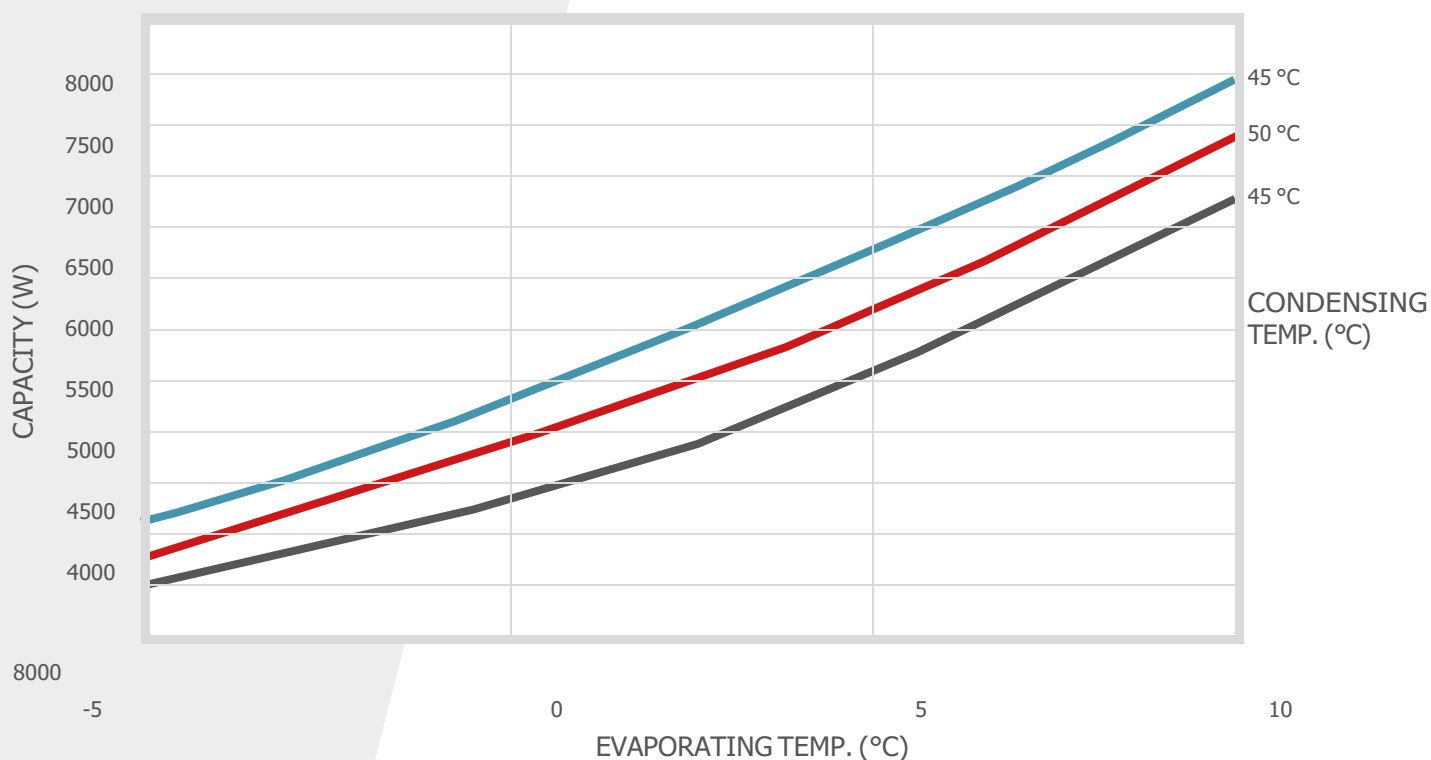
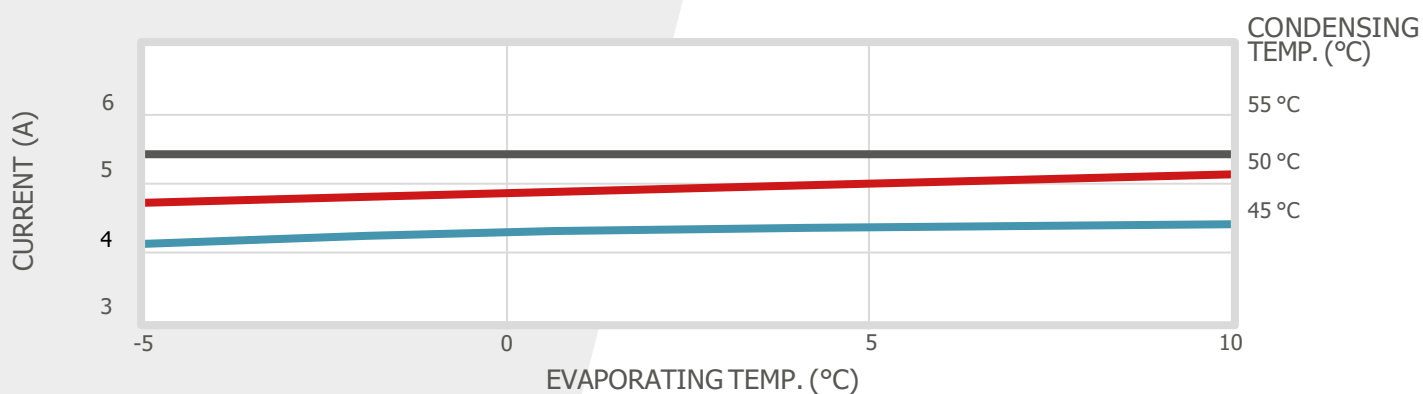
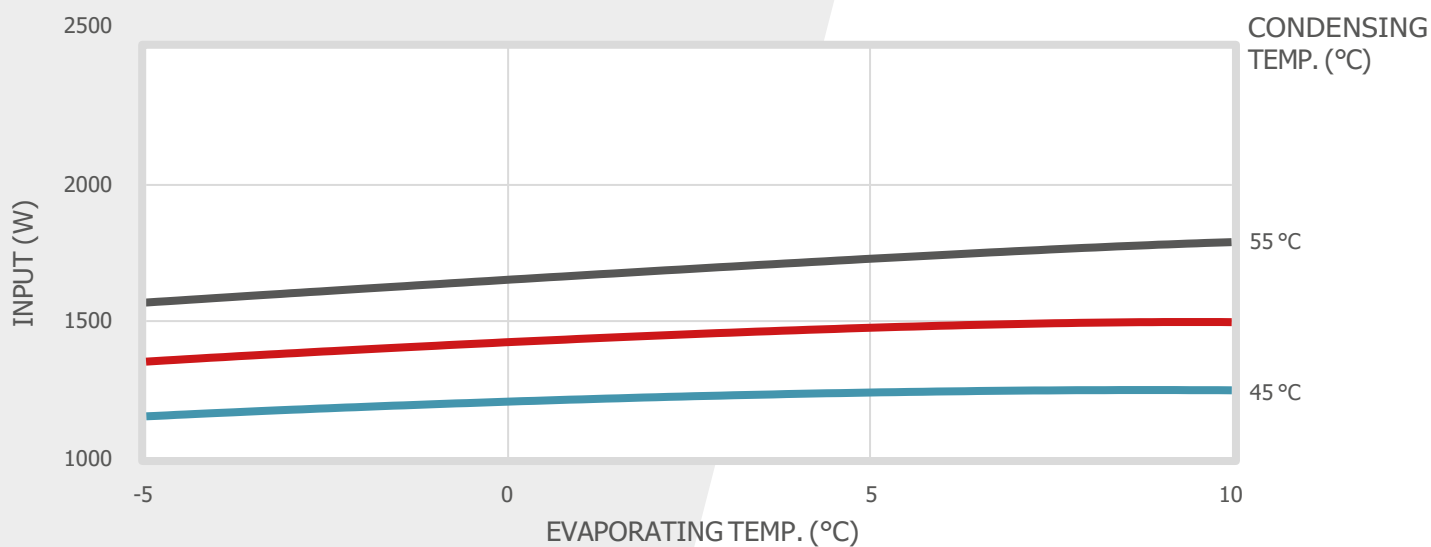
Over/undervoltage, overcurrent, torque, winding temperature, stepout (bad  
lubrication), power input, power output, efficiency, overload, oil level (with EEV)





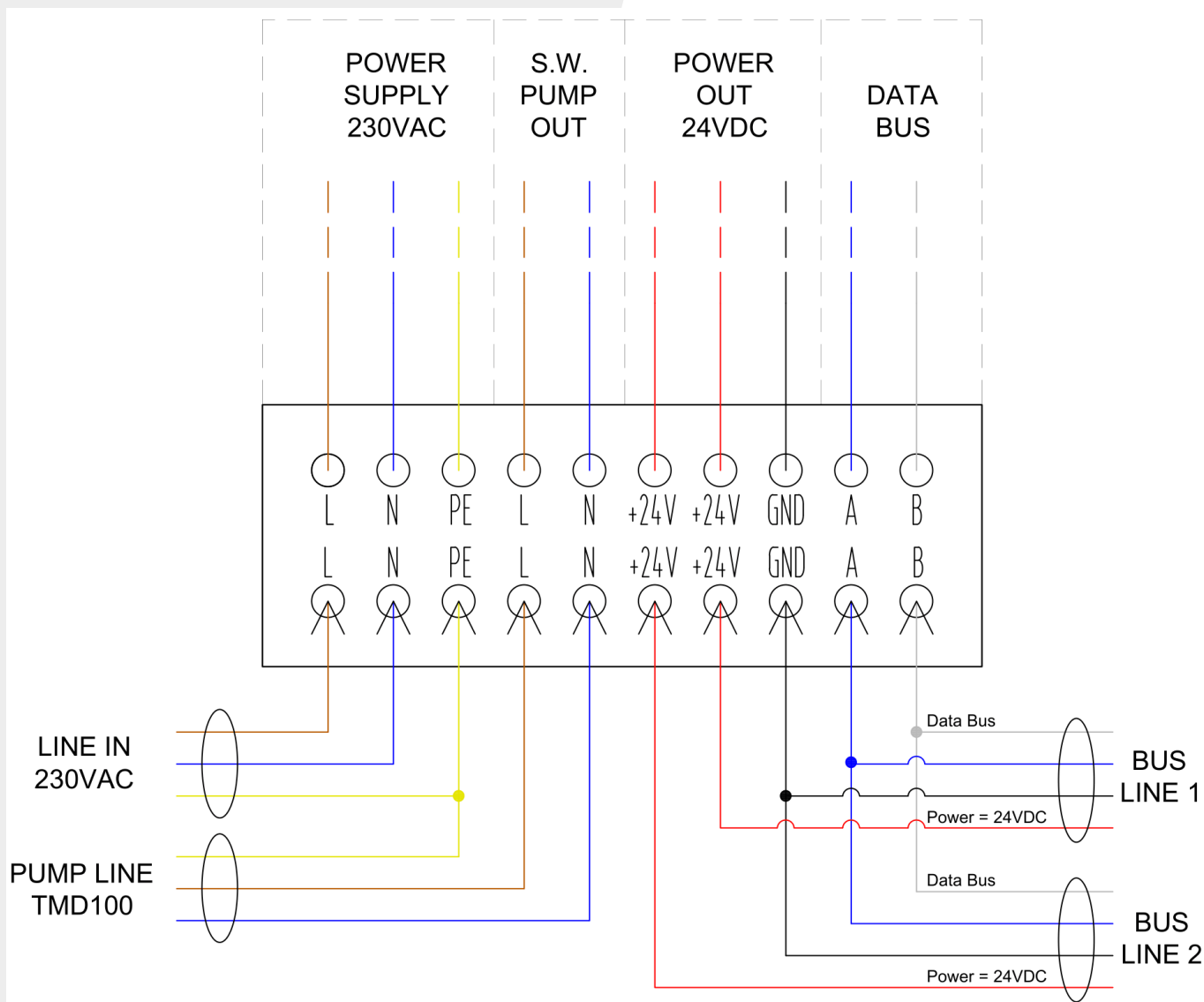
# VRT08X1

## PERFORMANCE CURVES



# VRT08X1

## ELECTRICAL CONNECTIONS



# VRT08X1

## OVERALL DIMENSIONS

